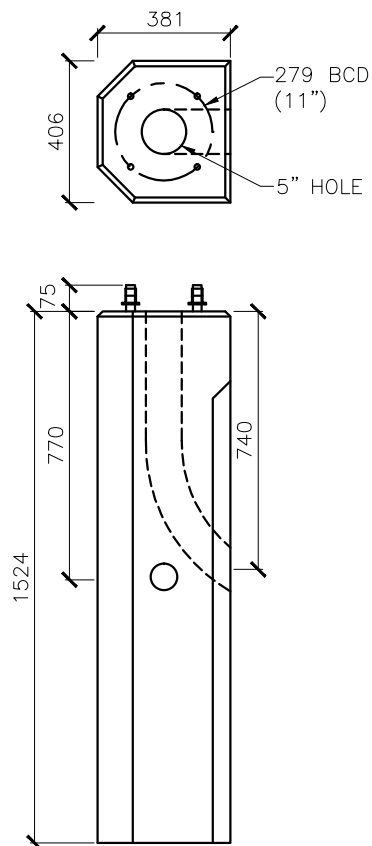




PreTech Concrete Products Ltd.

Street Light Base (15" x 16" x 60")

LP-0005



Conc: 32 Mpa
SR Cement

Mass: 535 kg
1180 lbs