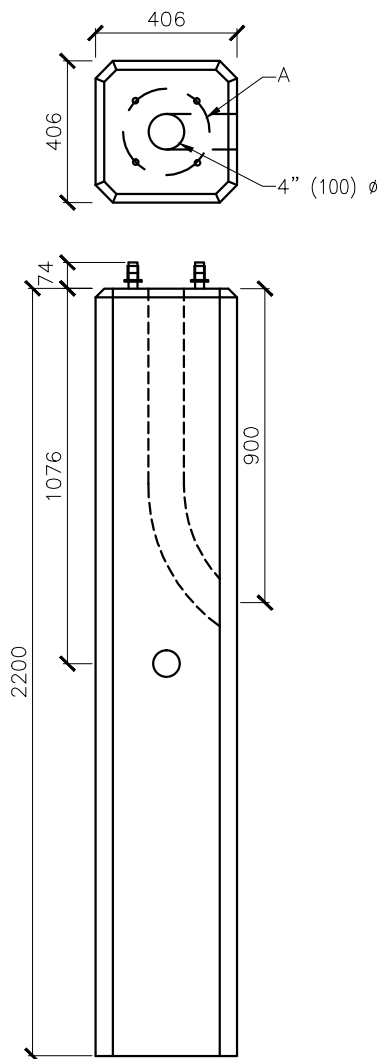




PreTech Concrete Products Ltd.

Street Light Base (16" X 16" X 87") LP-0010/11/12/13



Conc: 32 Mpa
SR Cement

Mass: 850 kg
1870 lbs

PROD NO.	BOLT CIRCLE (A)	
	(in.)	(mm)
LP-0010	10	254
LP-0011	11	280
LP-0012	11.5	292
LP-0013	13	330