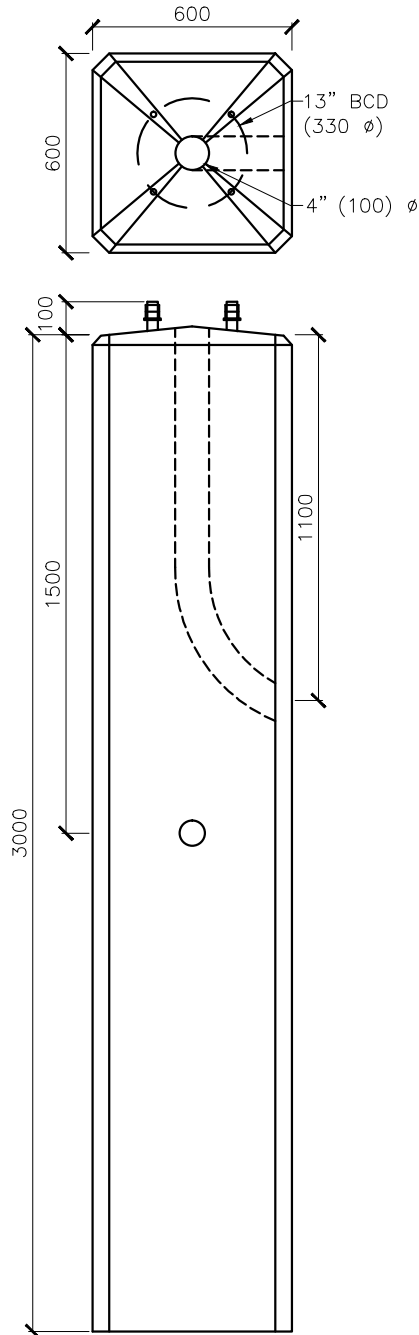




# PreTech Concrete Products Ltd.

## Street Light Base (600 x 600 x 3000) LP-0015



Conc: 32 Mpa  
SR Cement

Mass: 2400 kg  
5290 lbs