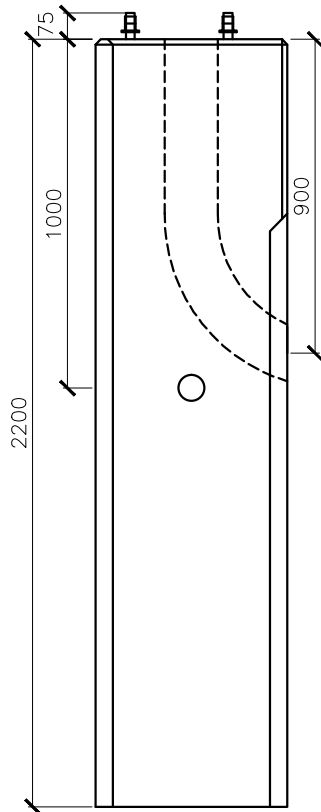
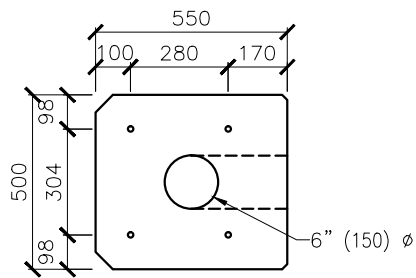




# PreTech Concrete Products Ltd.

Street Light Controller Base

LP-0020



Conc: 32 Mpa  
SR Cement

Mass: 1440 kg  
3175 lbs