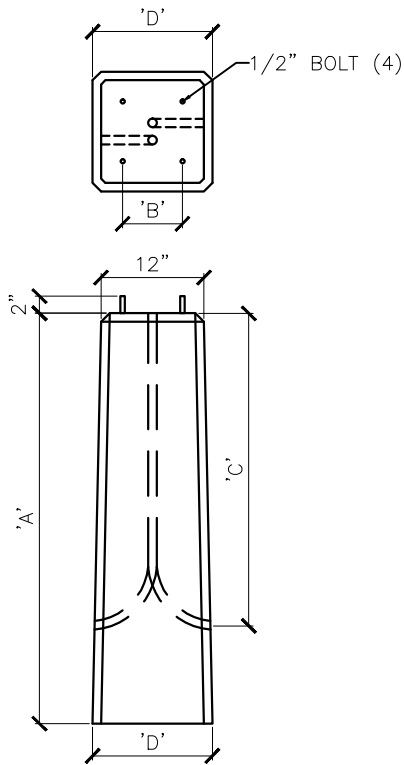




# PreTech Concrete Products Ltd.

## Plug-In Pedestal Base- Double Hole PB-7/8 2 48/66



Conc: 32 Mpa  
SR Cement

Mass: Varies

PROD. NO	"A"	"B"	"C"	"D"	MASS (kg)
PB 7248	48"	7"	36"	14"	320
PB 7266	66"	7"	60"	14 3/4"	465
PB 8248	48"	8"	30"	14"	320
PB 8266	66"	8"	60"	14 3/4"	465