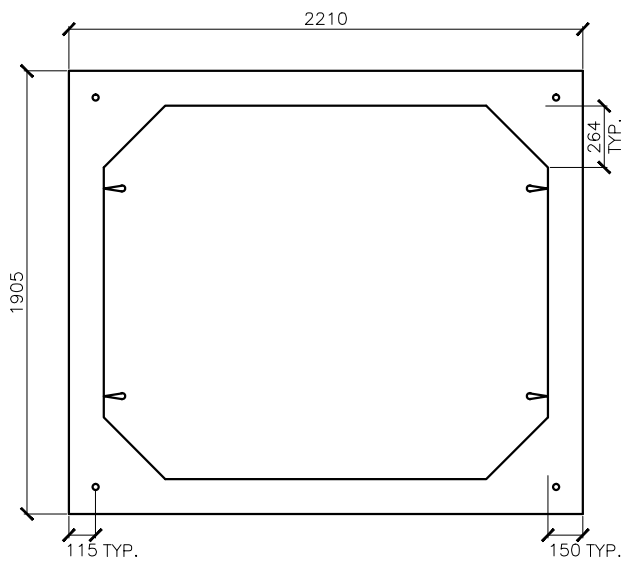




PreTech Concrete Products Ltd.

Switch Gear Base (200A, 25 kV, 3Ph) SC-2502



Conc: 32 Mpa
SR Cement

Mass: 2400 kg
5280 lbs

