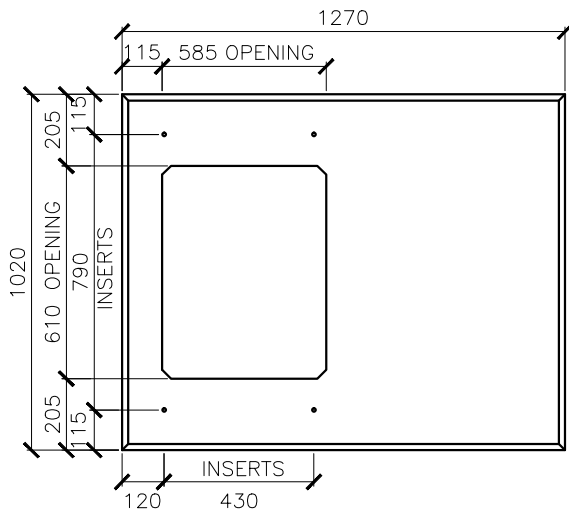




PreTech Concrete Products Ltd.

Single Phase Transformer Base

TF-1001



Conc: 32 Mpa
SR Cement

Mass: 985 kg
2175 lbs

