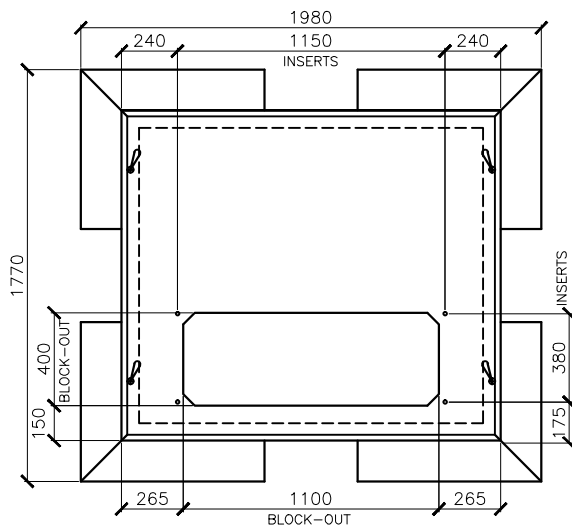




PreTech Concrete Products Ltd.

Transformer Base Up to 500 kVa

TF-3001



Conc: 32 Mpa
SR Cement

Mass: 1800 kg
3970 lbs

